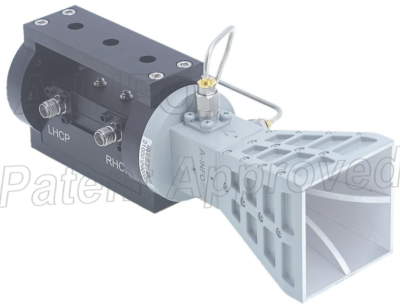


For reference only. See data sheet for the detailed specifications.

Technical Specification



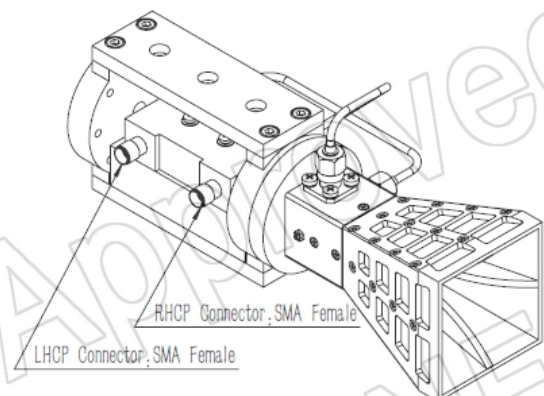
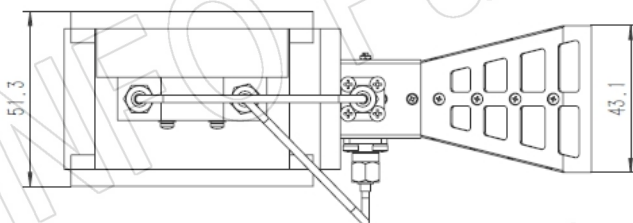
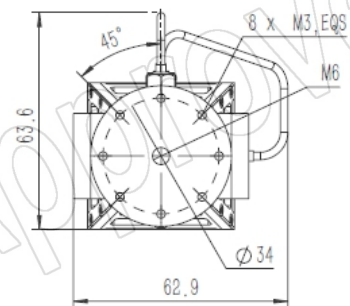
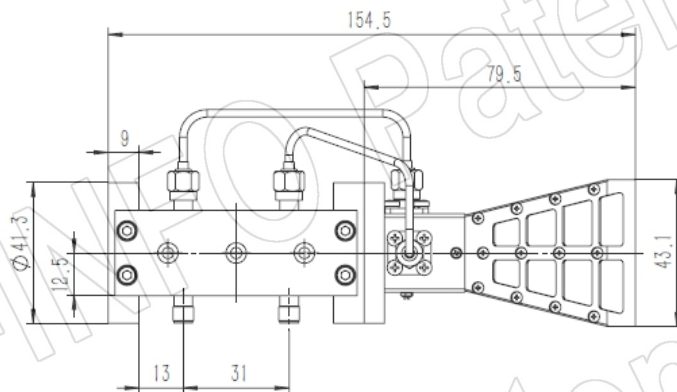
Frequency Range(GHz)	6.0 – 24.5
Gain(dBic)	13 Typ.
Polarization	Dual Circular
Axial Ratio(dB)	3.0 Typ.
	6.0 Max.
3dB Beamwidth(deg)	E Plane: 76 - 21
	H Plane: 75 - 20
Port to Port Isolation(dB)	15 Typ.
VSWR	2.0:1 Max.
Connector	SMA-Female
Power Handling(W CW)	20 Max.
Material	Al
Finish	Chemical Conversion Coating and Anodizing, Gray Paint
Size(mm)	62.9 x 63.6 x 154.5
Net Weight(Kg)	0.34 Around

PATENT ID (China)

ZL201822143668.8, ZL201630458327.3

Outline Drawing (Size: mm)

SMA-Female Output (P/N: LB-SJ-60245-P03)



AINFO Inc.

China(Beijing):
China(Chengdu):
USA :

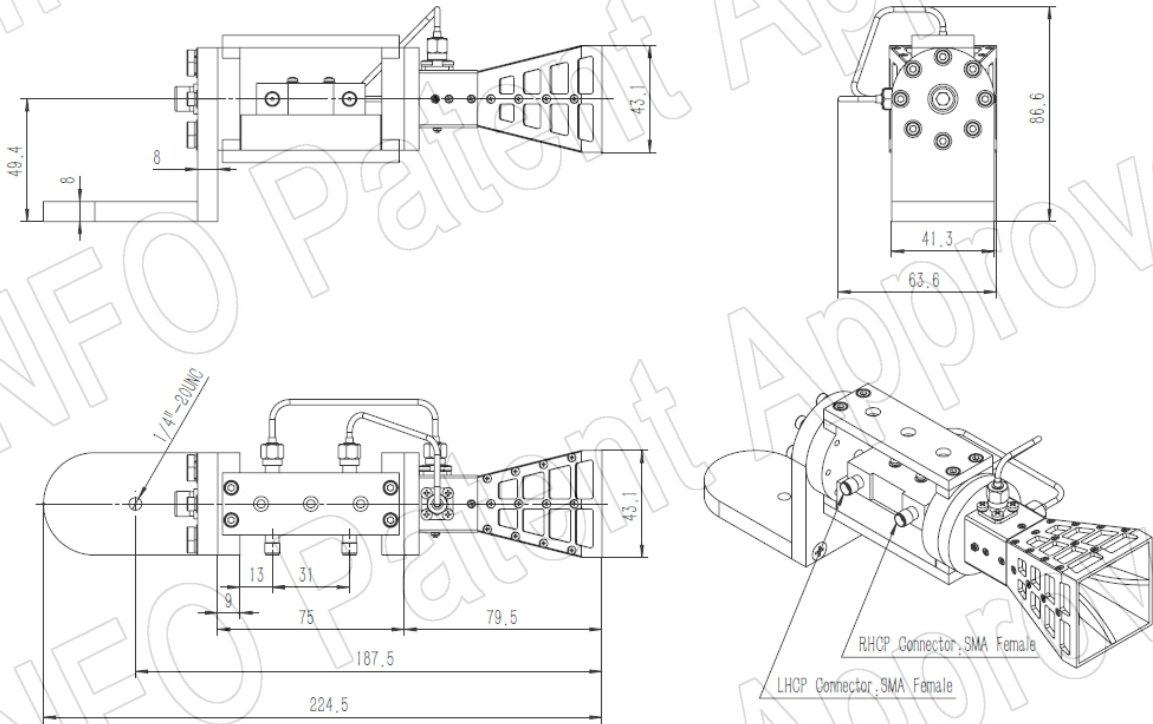
Tel: (+86) 10-6266-7326,
Tel: (+86) 28-8519-2786,
Tel: (+1) 949-639-9688,

(+86) 10-6266-7327
(+86) 28-8519-3044
(+1) 949-639-9608

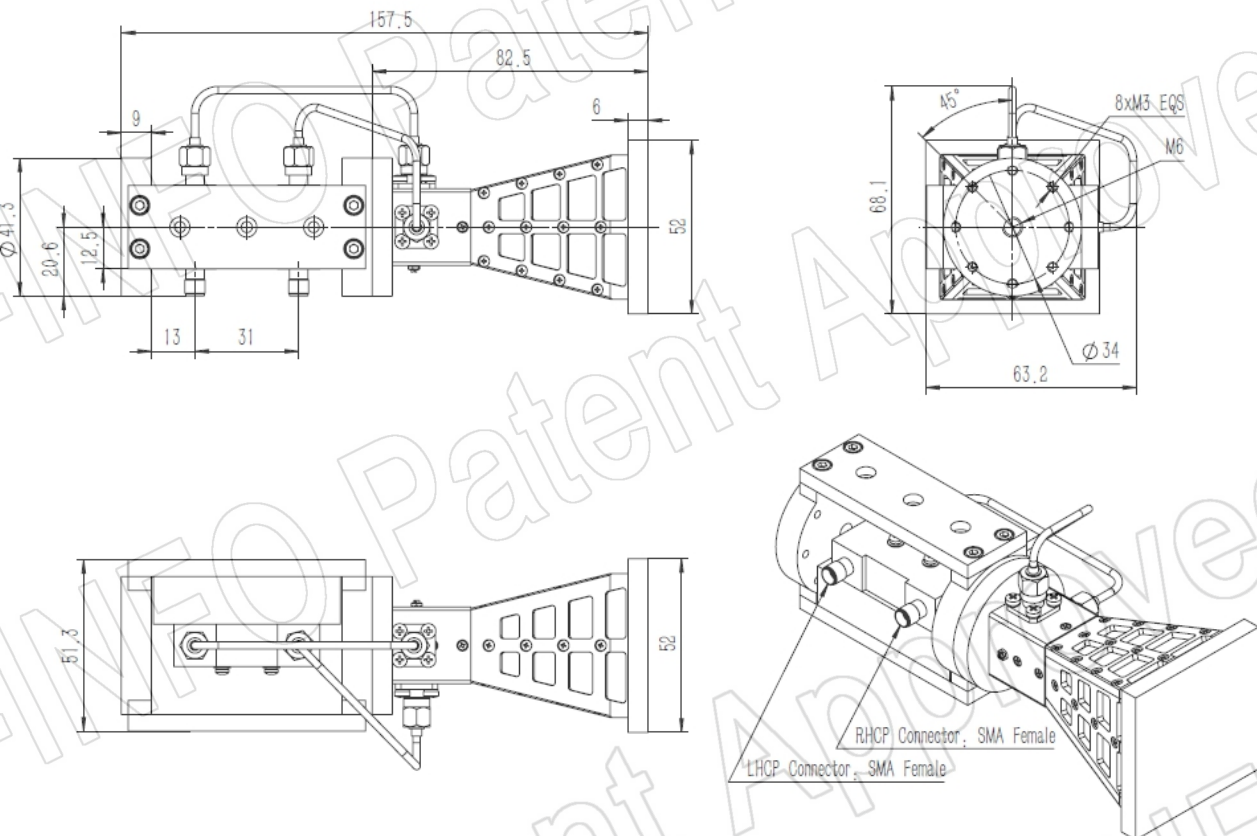
Page 1 of 19
Fax: (+86) 10-6266-7379
Fax: (+86) 28-8519-3068
Fax: (+1) 949-639-9670

Website: www.ainfoinc.com
Email: sales@ainfoinc.com

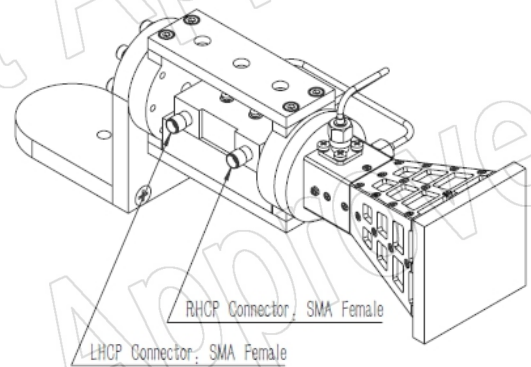
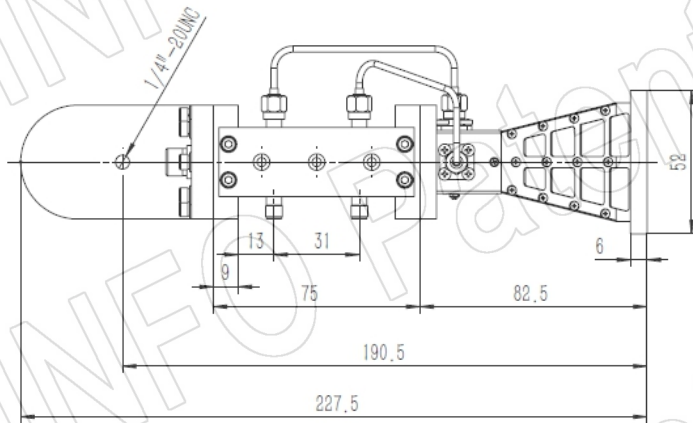
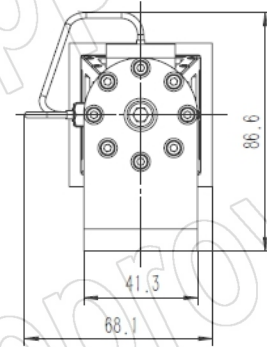
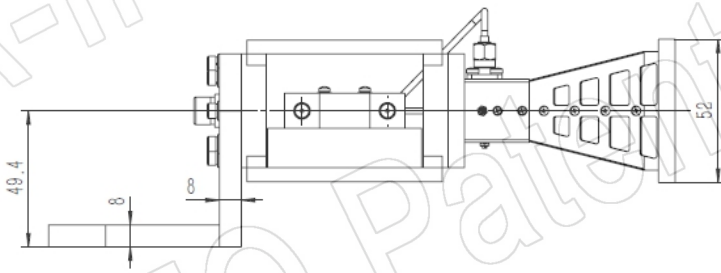
SMA-Female Output with L Type Mounting Bracket (Option, P/N: LB-20180-L)



SMA-Female Output with Radome (Option, P/N: LB-SJ-60245-P03SPO, Outdoor Application)

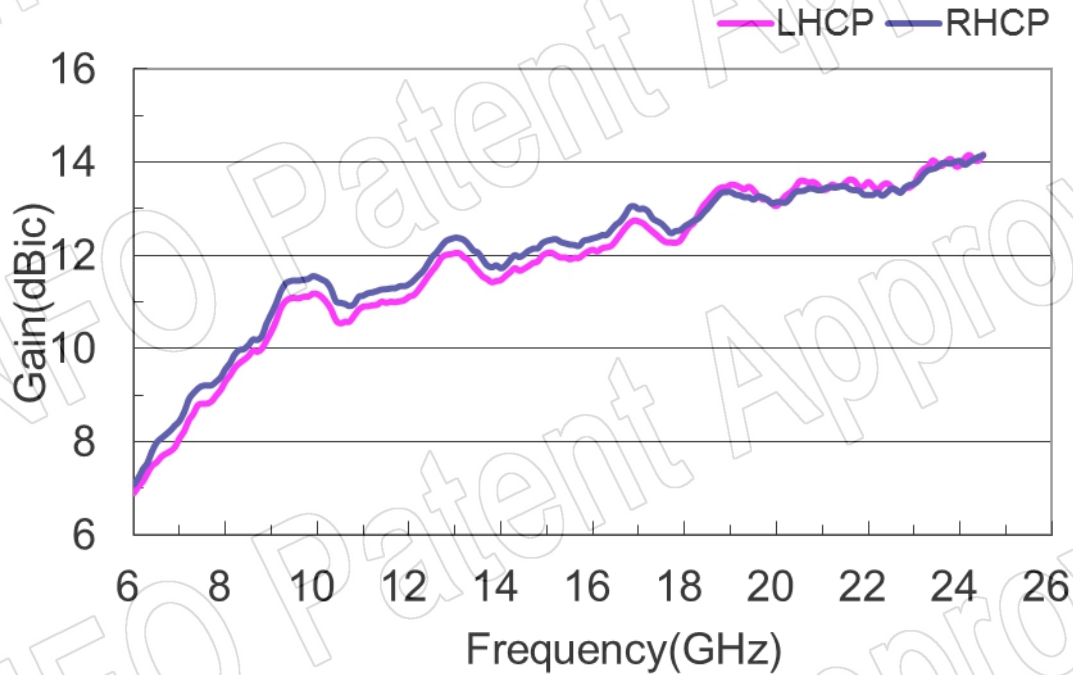


SMA-Female Output with L Type Mounting Bracket & Radome (Option, P/N: LB-20180-L & LB-SJ-60245-P03SPO, Outdoor Application)

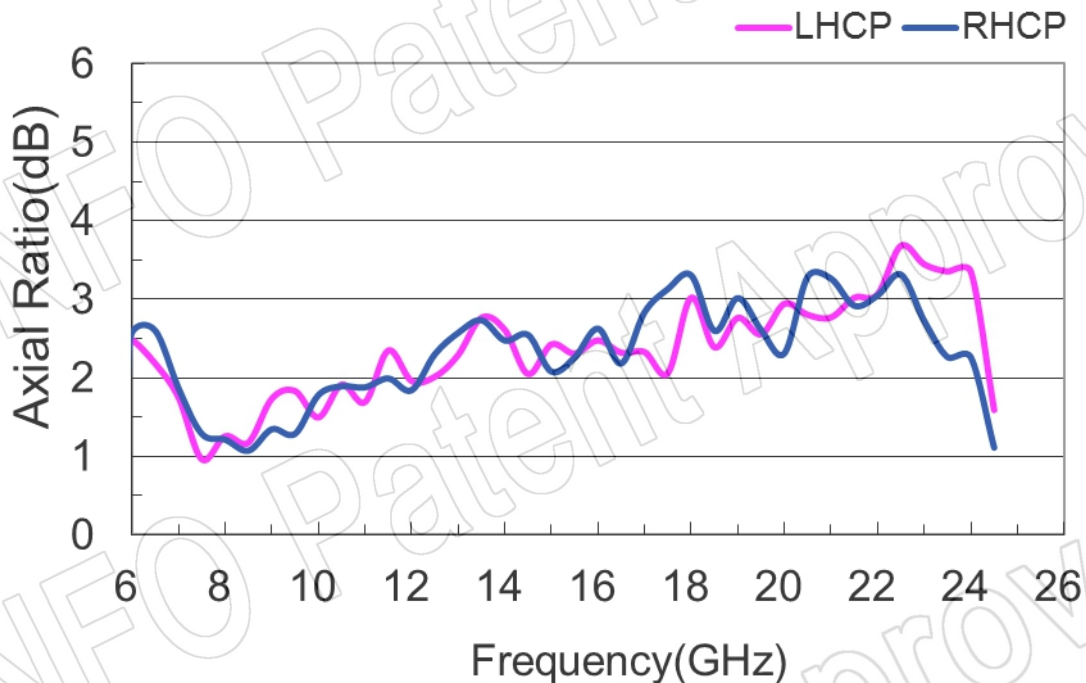


Test Results

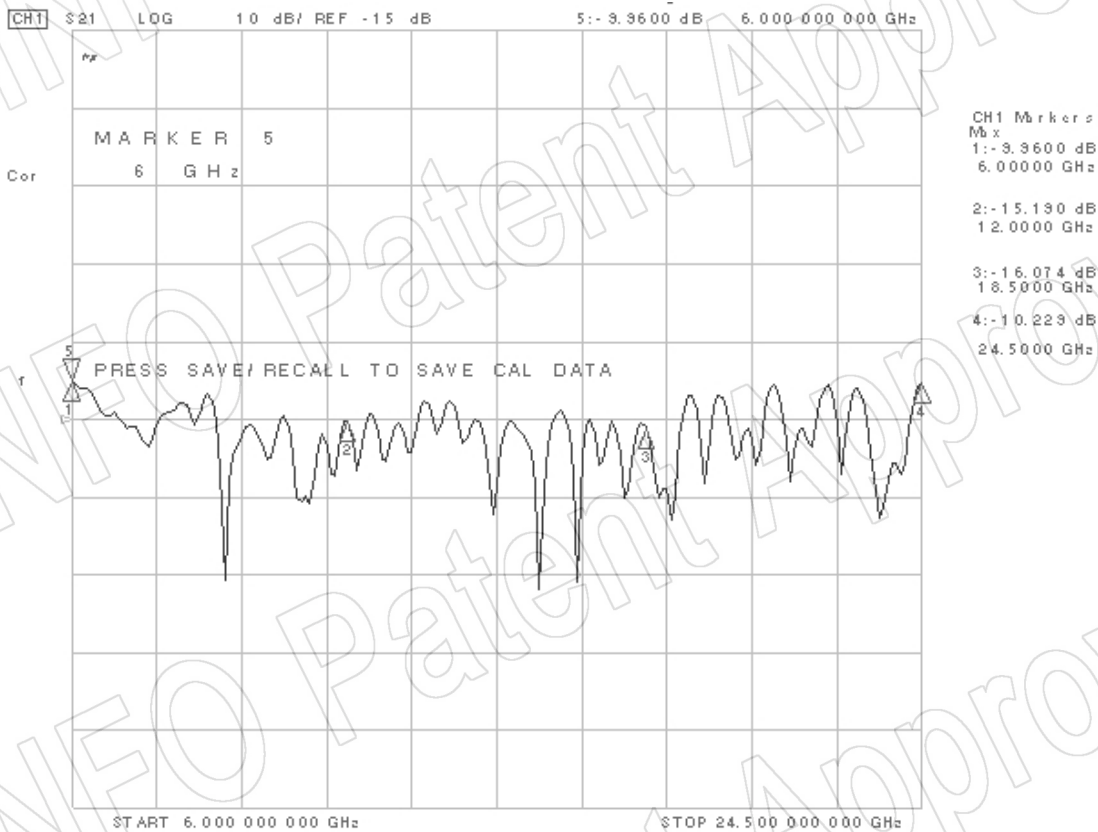
1. Gain



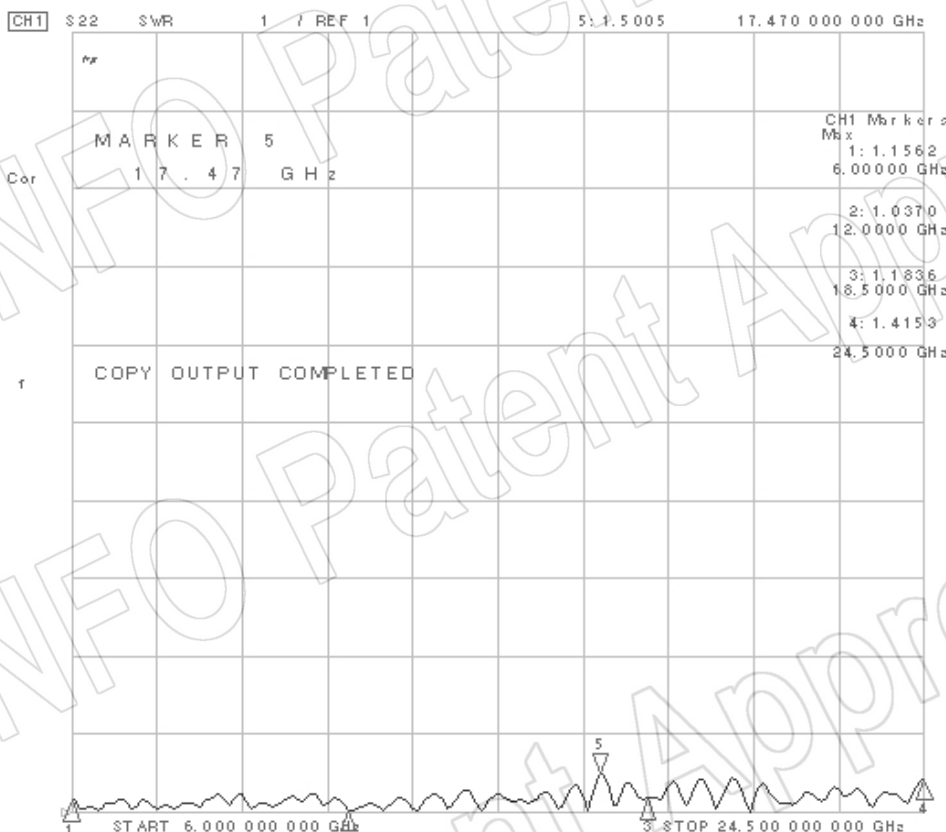
2. Axial Ratio



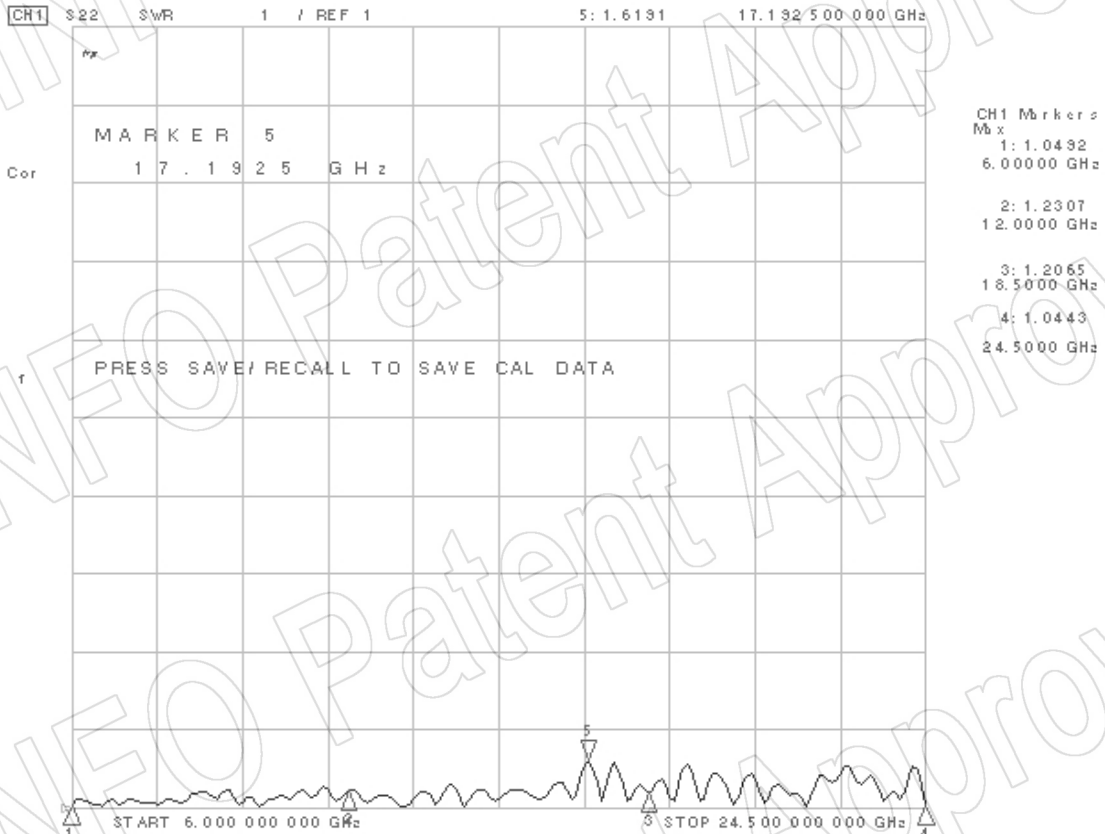
3. Port to Port Isolation



4. VSWR LHCP

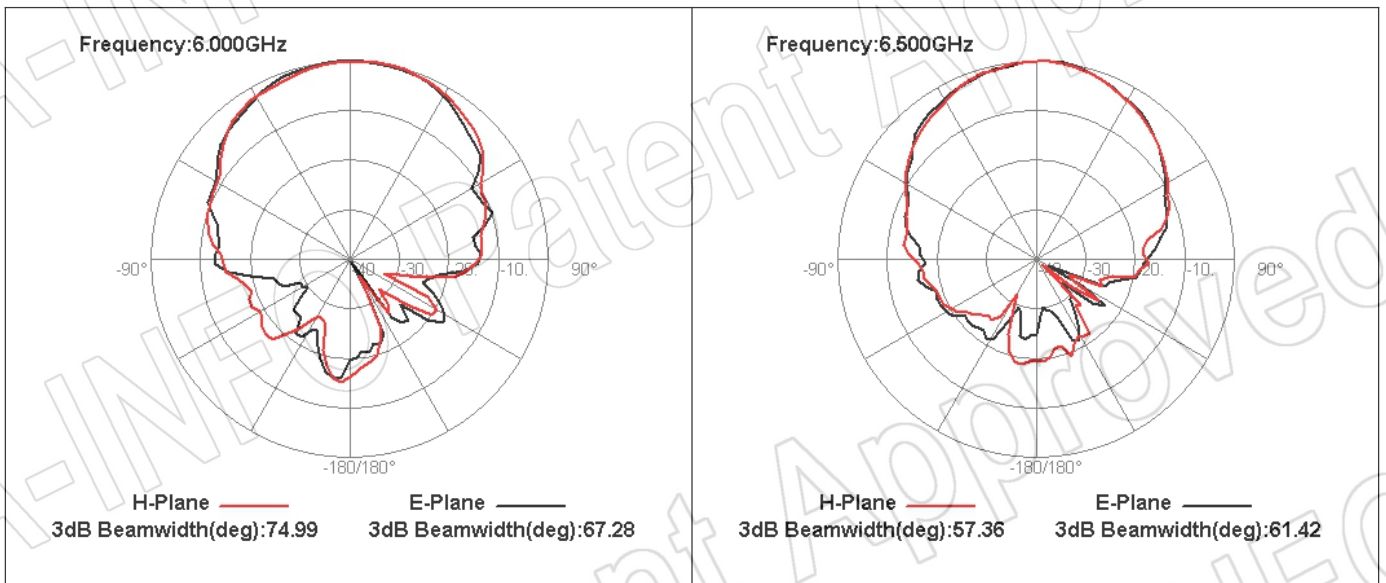


RHCP



5. Pattern

LHCP



AINFO Inc.

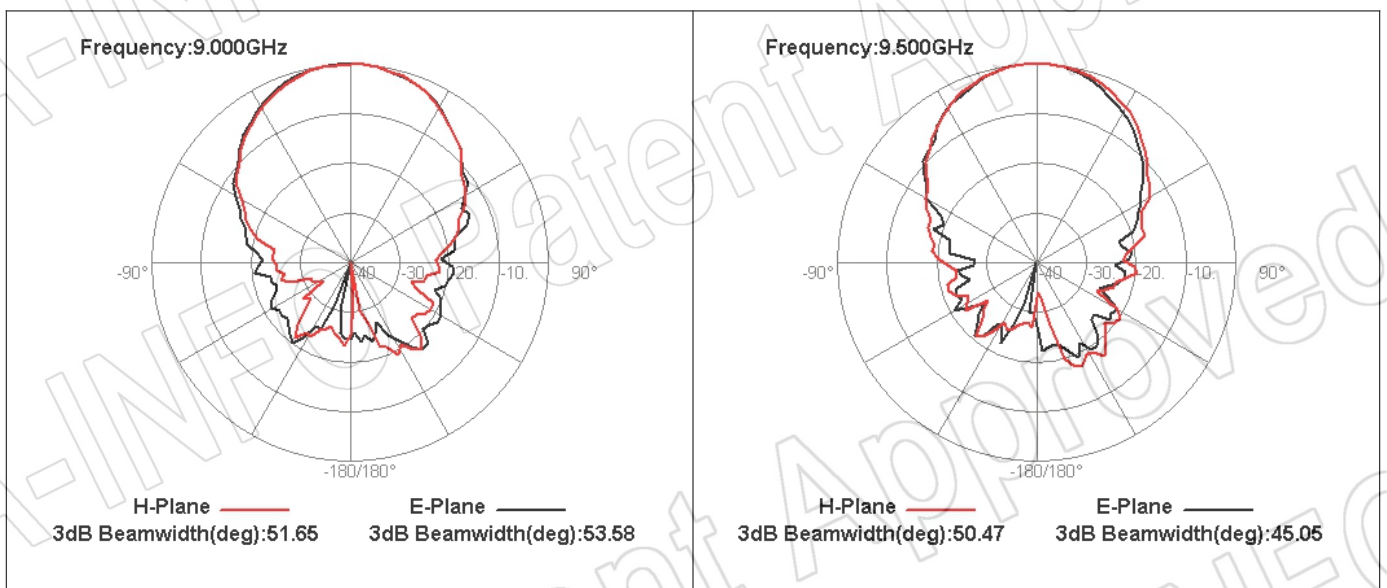
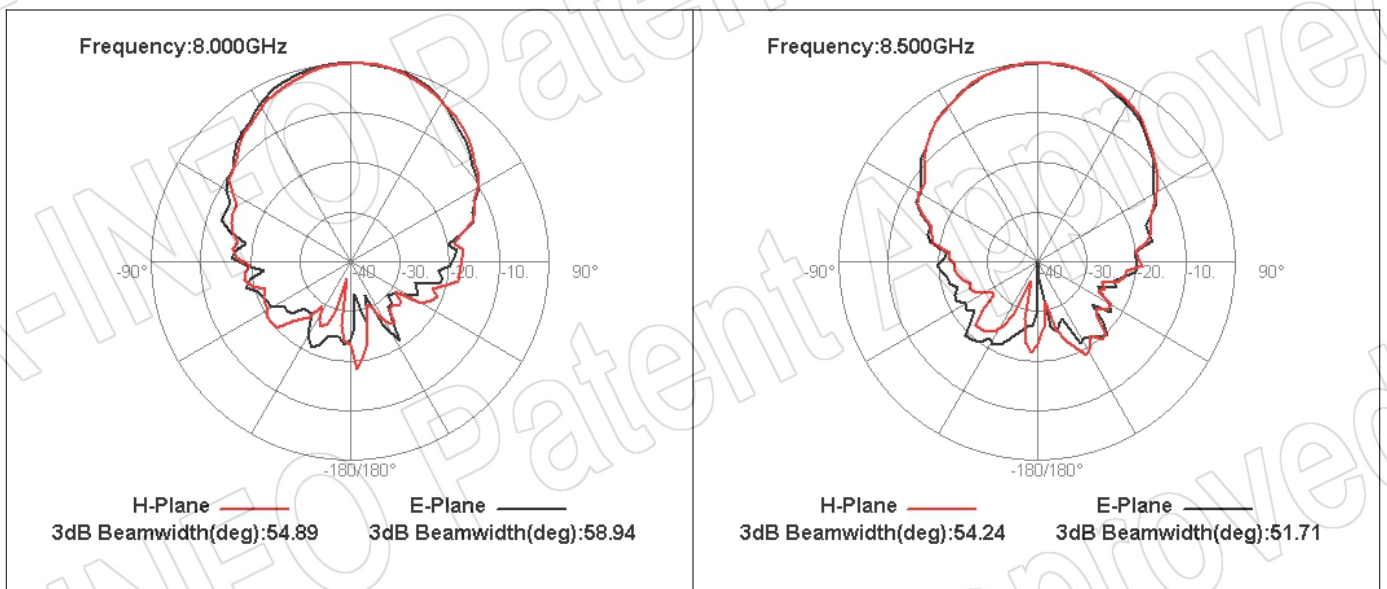
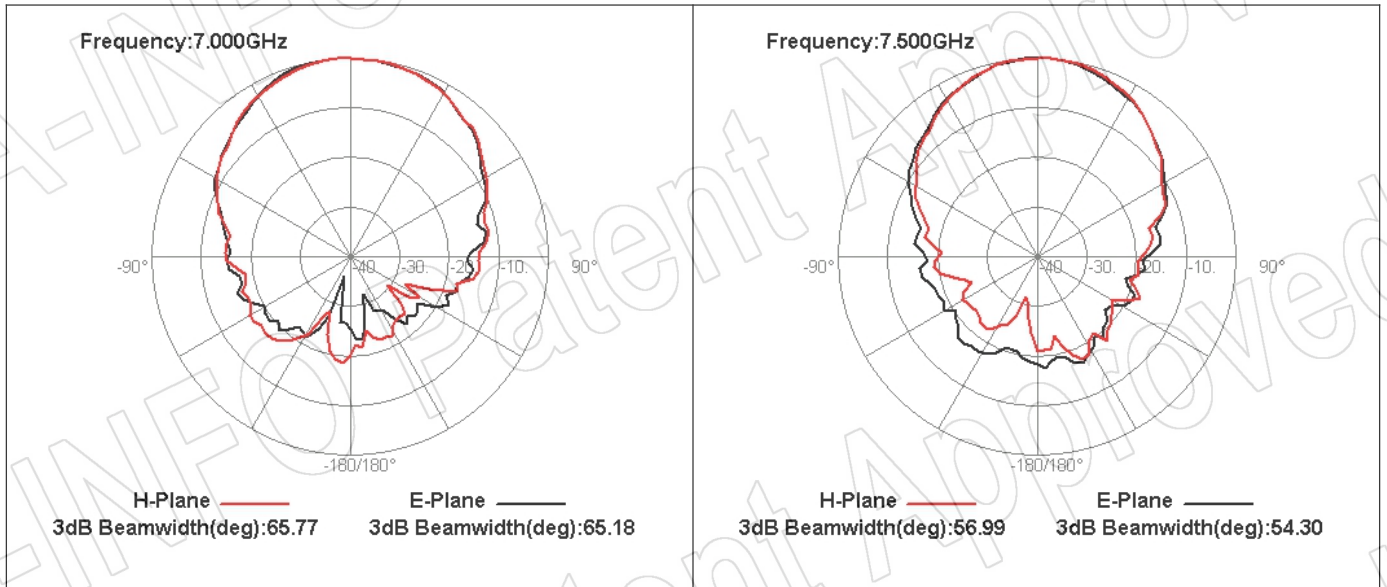
China(Beijing):
China(Chengdu):
USA :

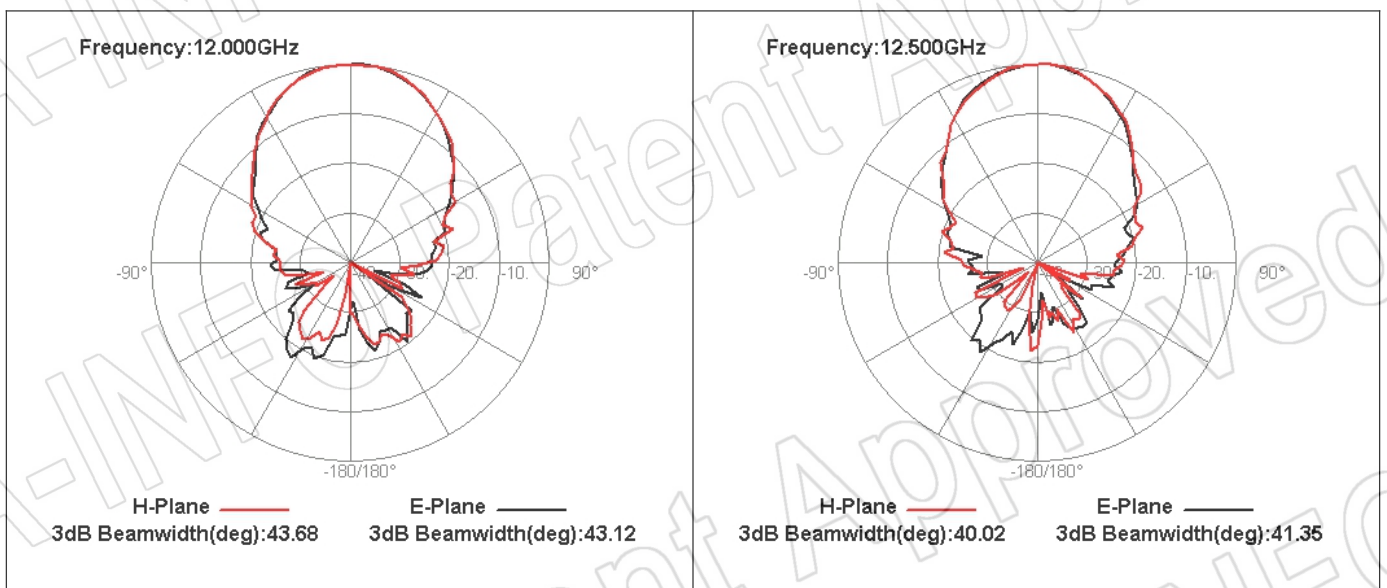
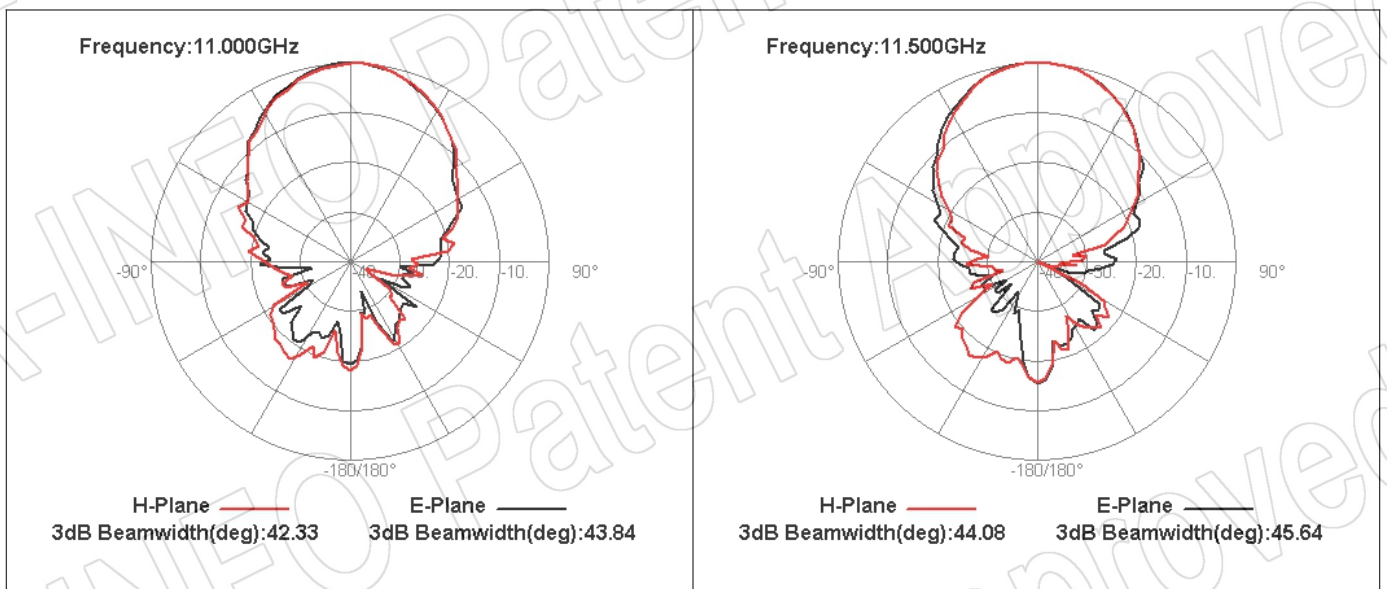
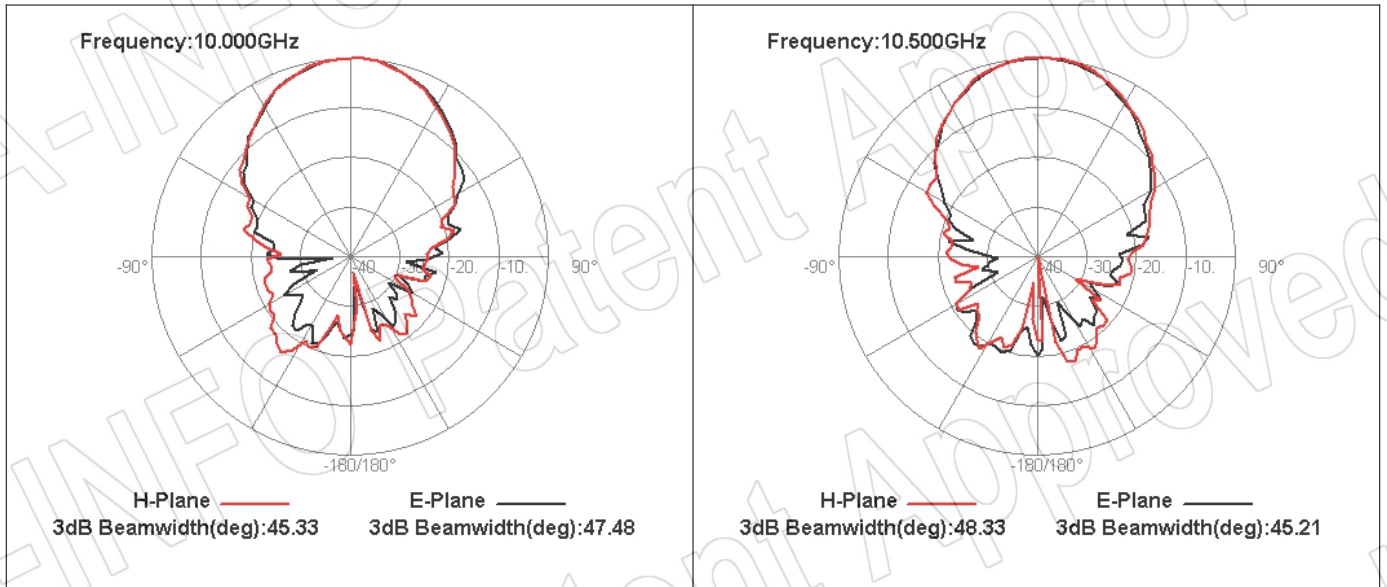
Tel: (+86) 10-6266-7326,
Tel: (+86) 28-8519-2786,
Tel: (+1) 949-639-9688,

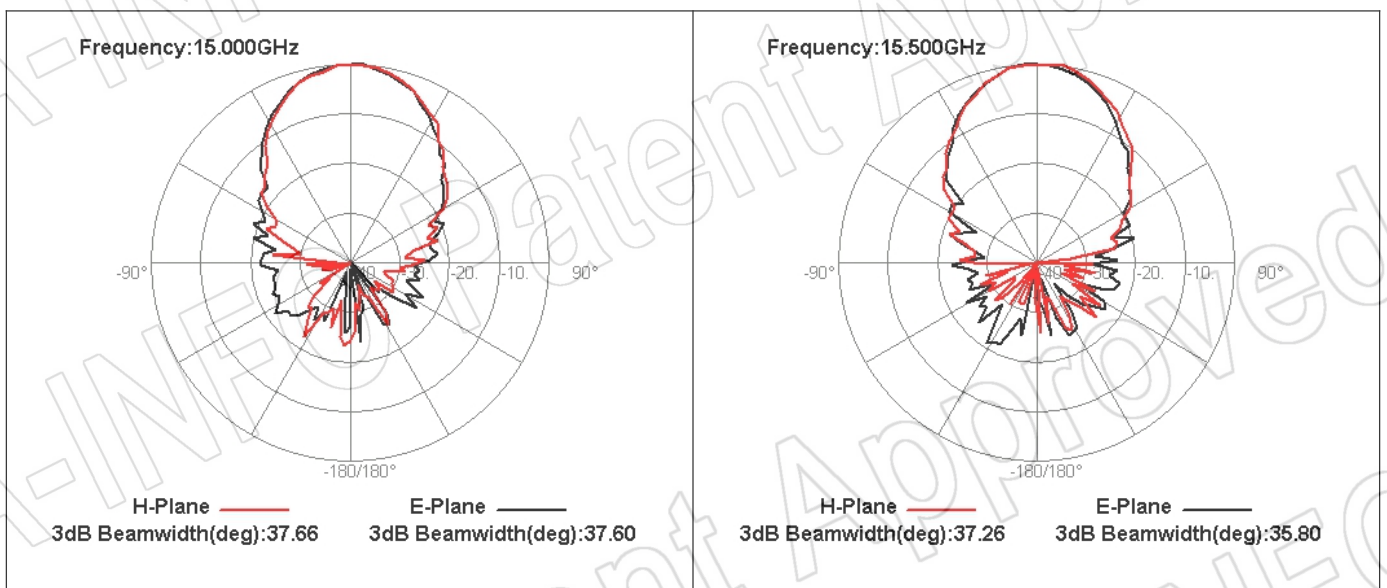
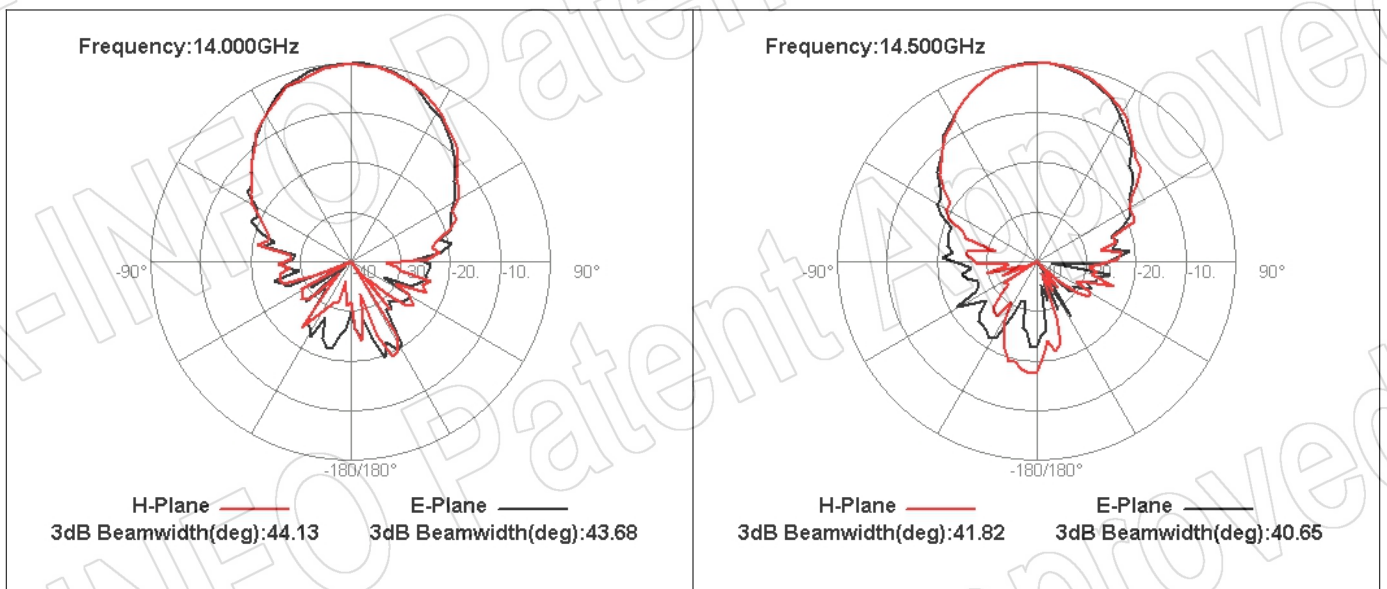
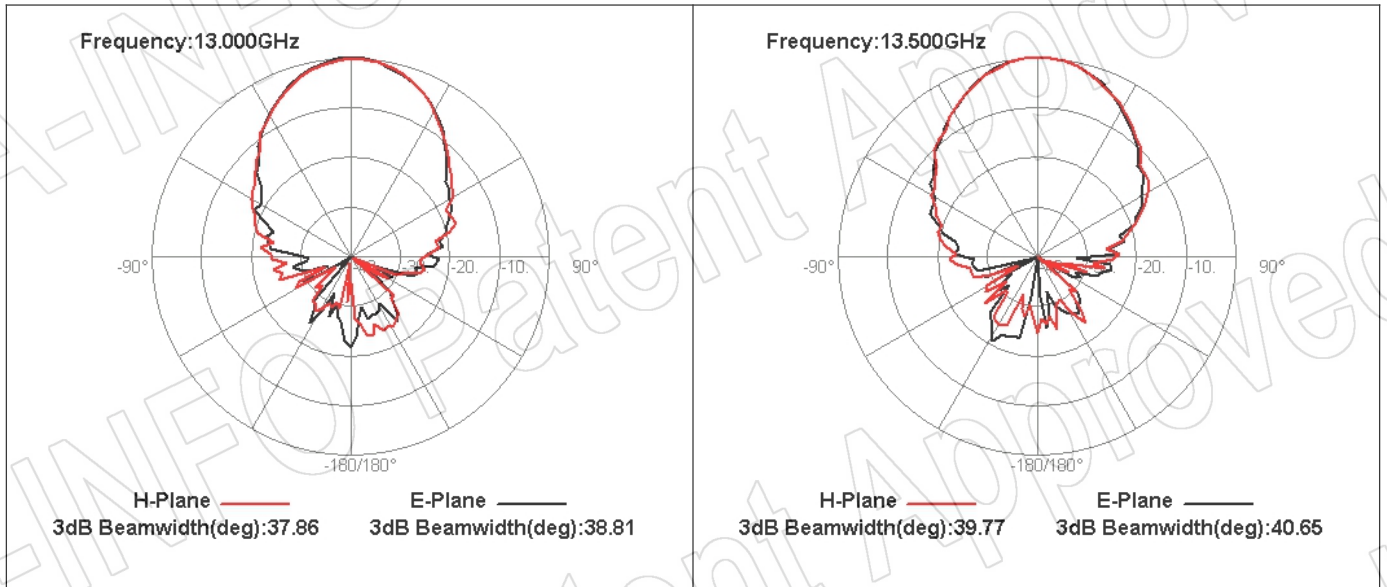
(+86) 10-6266-7327
(+86) 28-8519-3044
(+1) 949-639-9608

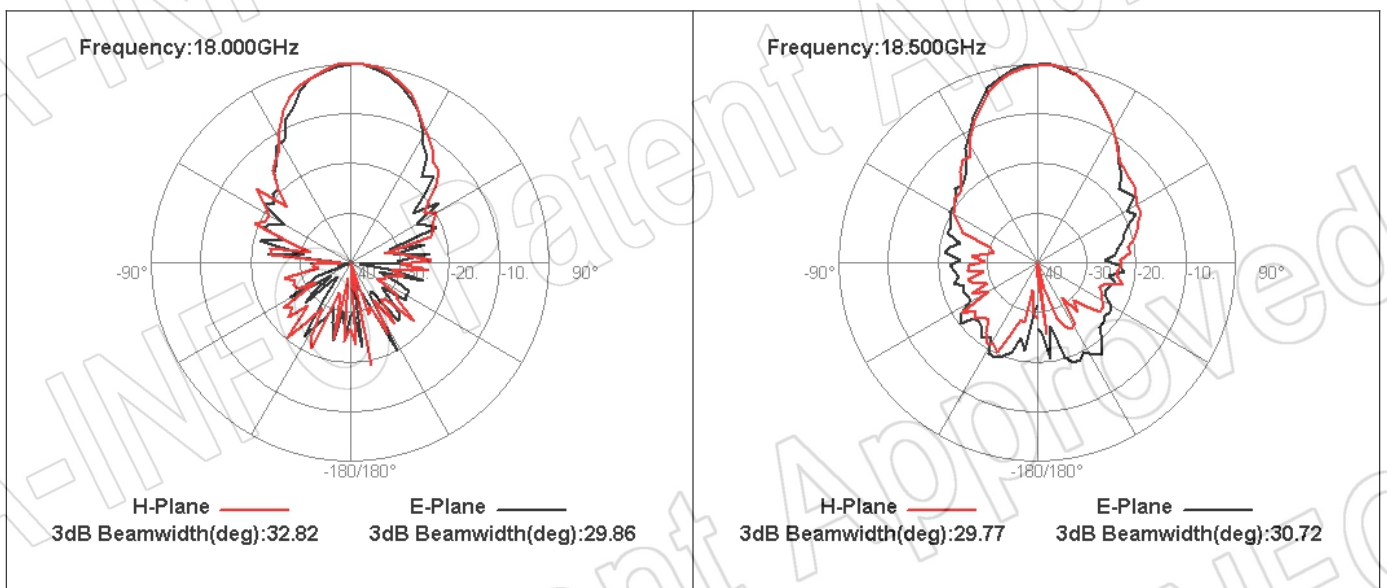
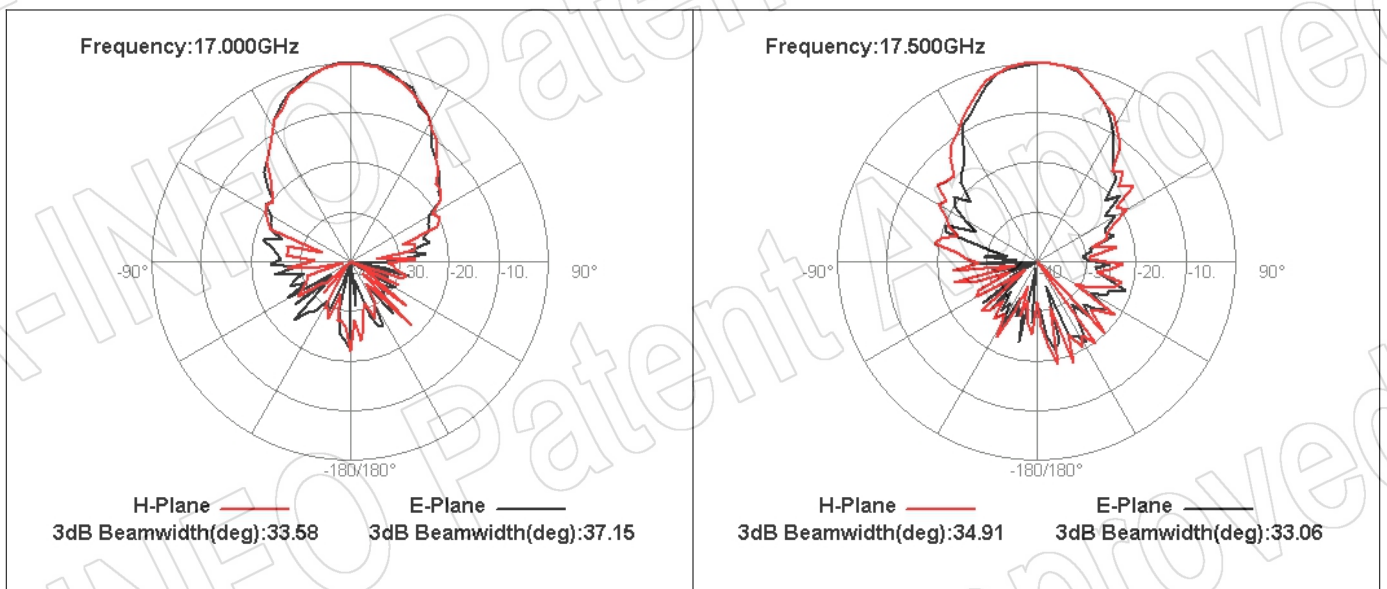
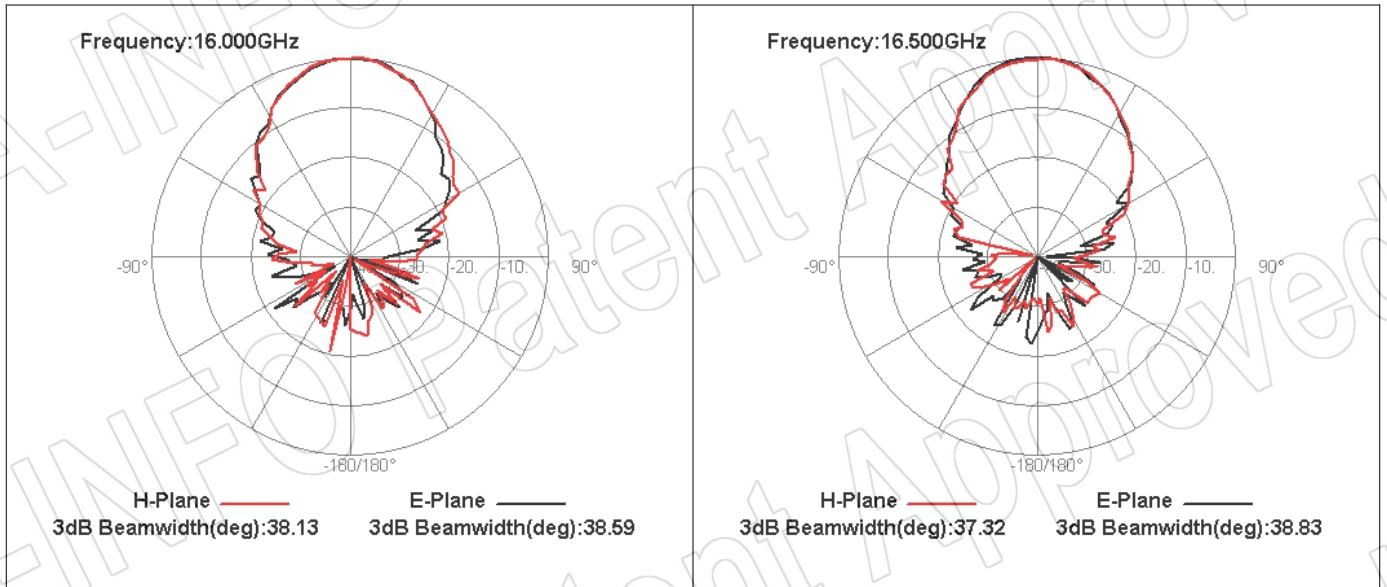
Fax: (+86) 10-6266-7379
Fax: (+86) 28-8519-3068
Fax: (+1) 949-639-9670

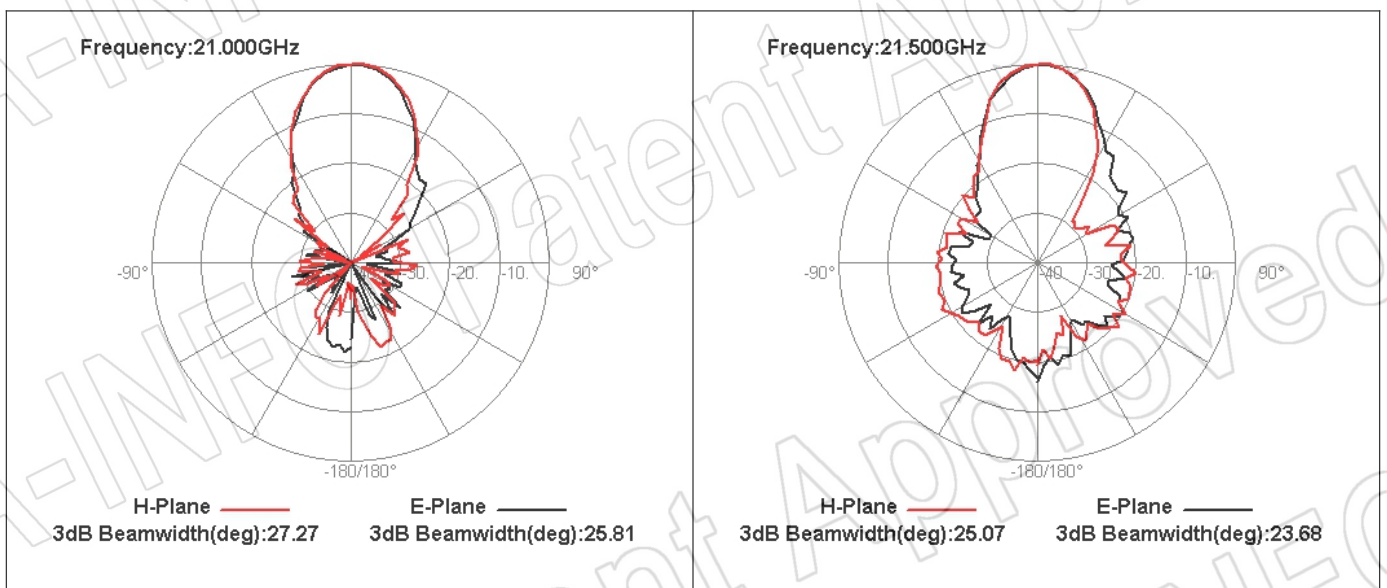
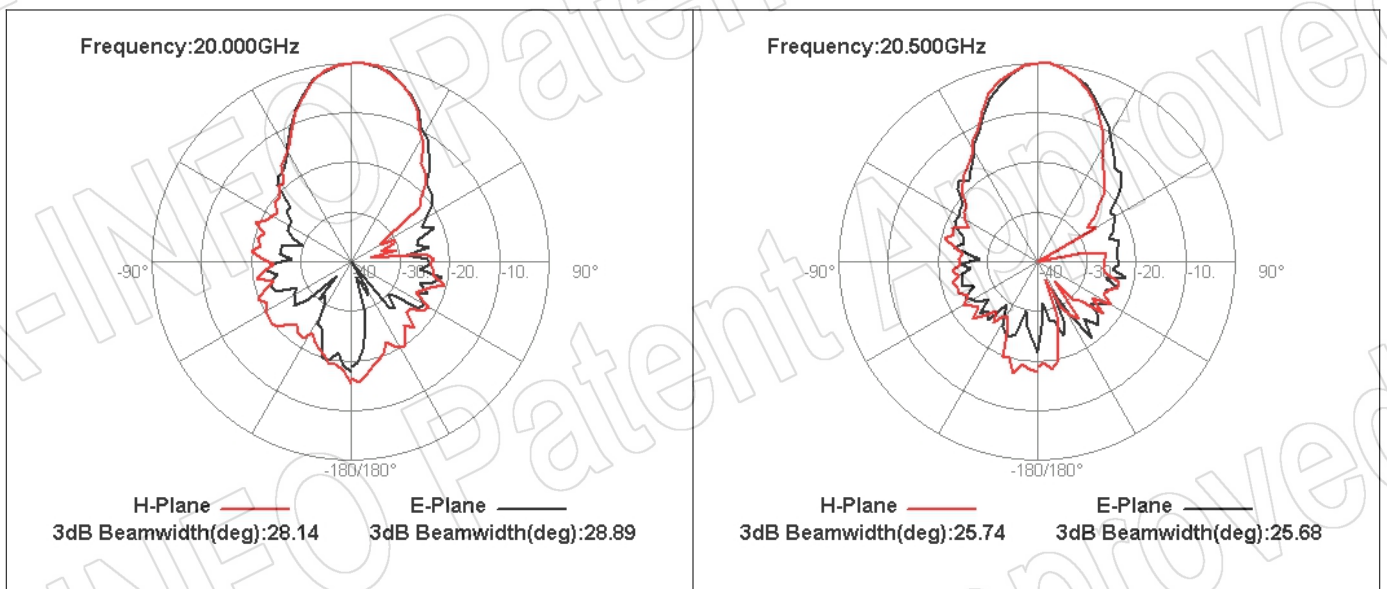
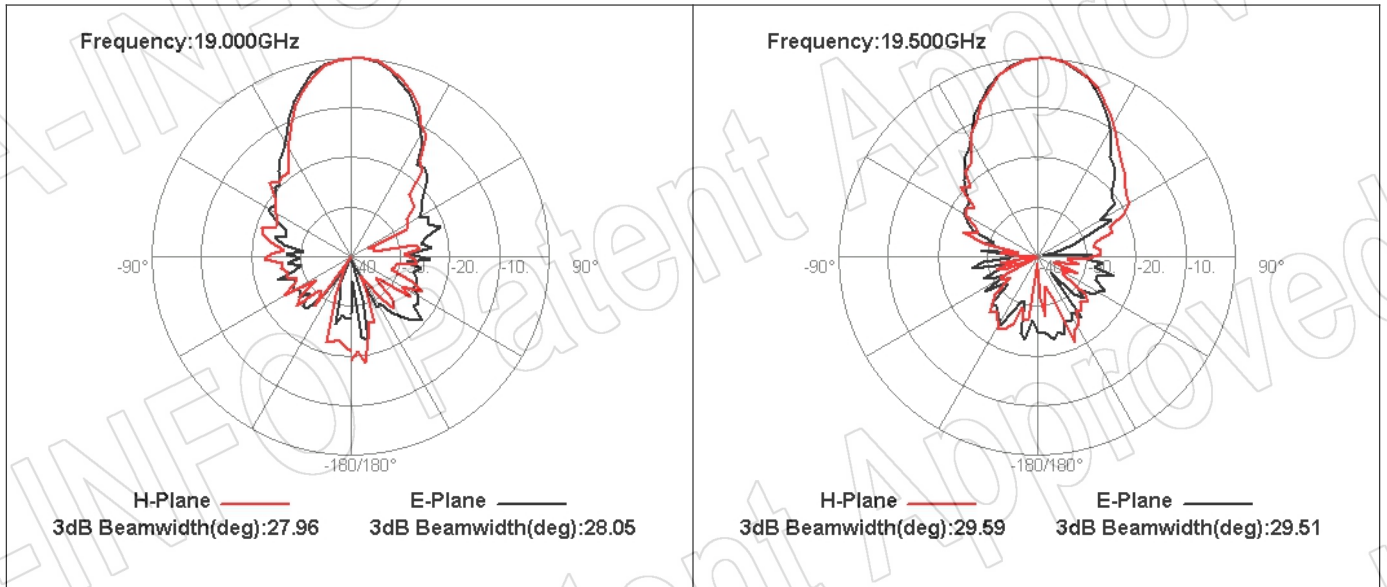
Website: www.ainfoinc.com
Email: sales@ainfoinc.com

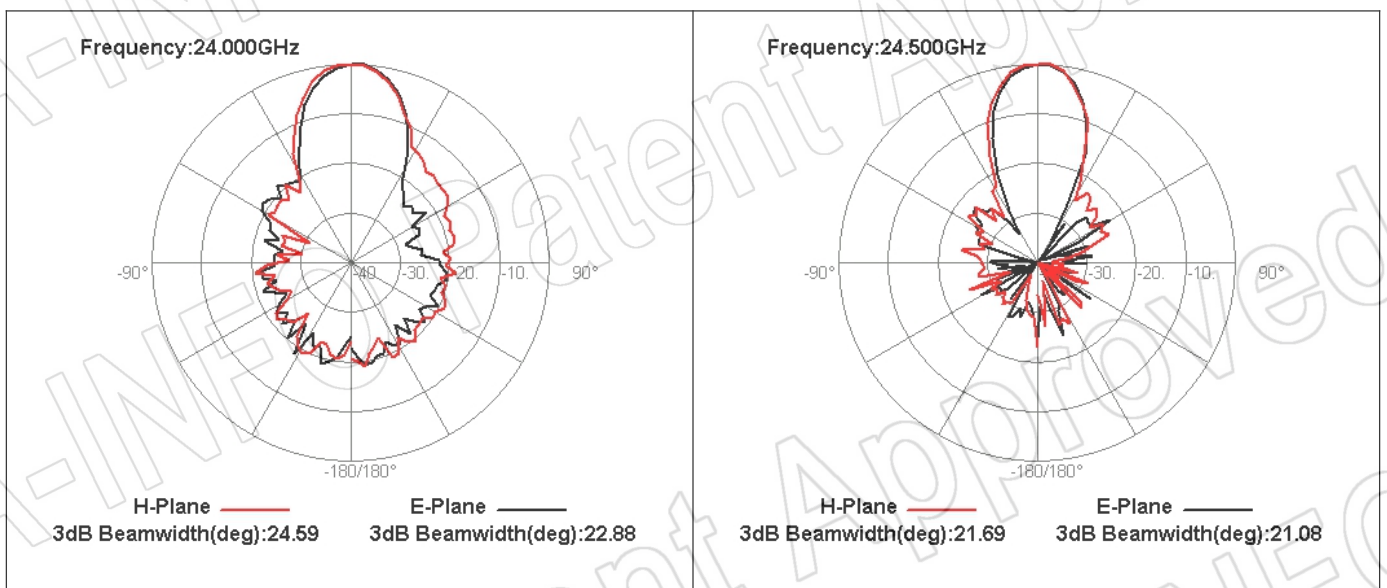
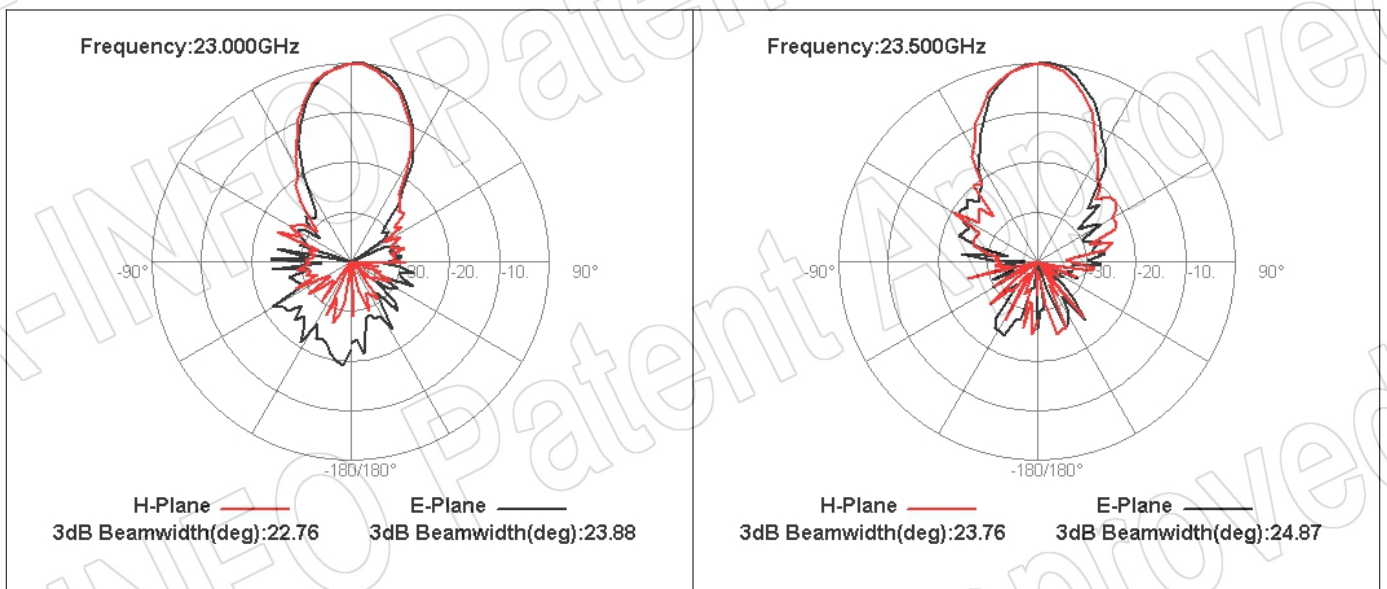
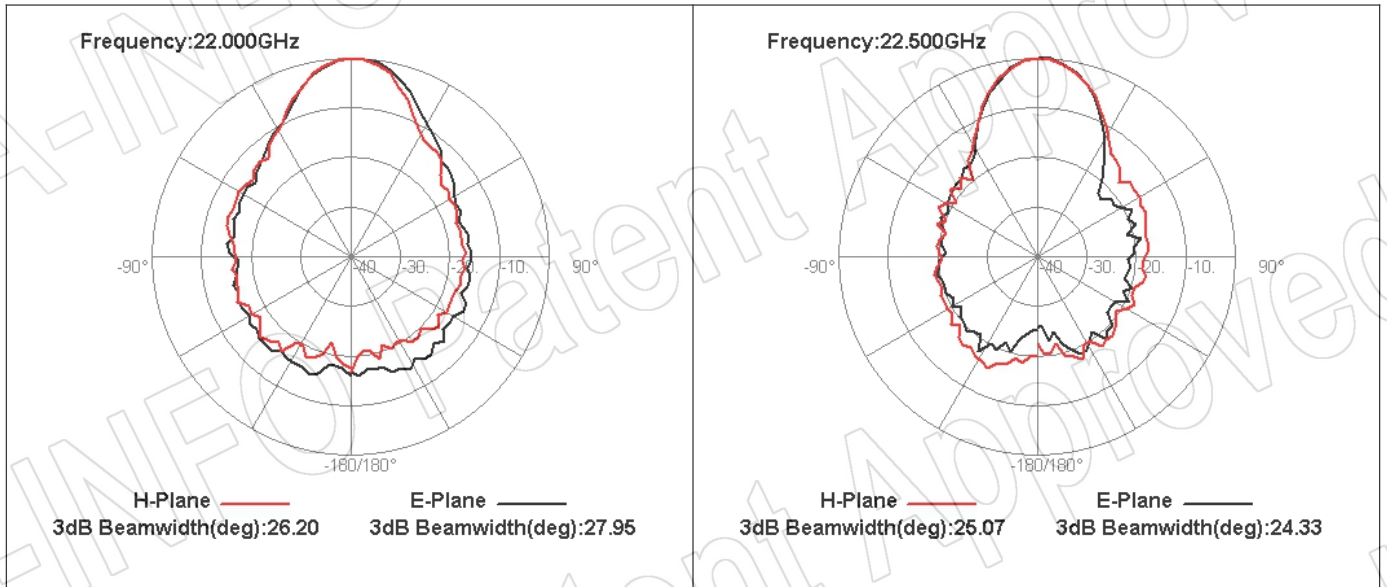












RHCP

